

**TX-R3A140-010G**

**PRODUCT SPECIFICATION**

Approved by: \_\_\_\_\_

Checked by: \_\_\_\_\_

Prepared by: \_\_\_\_\_

<b>Part No.</b>	TX-R3A140-010G	<b>Spec No.</b>	WKF-BA3071	<b>Page</b>	1 of 8
-----------------	----------------	-----------------	------------	-------------	--------

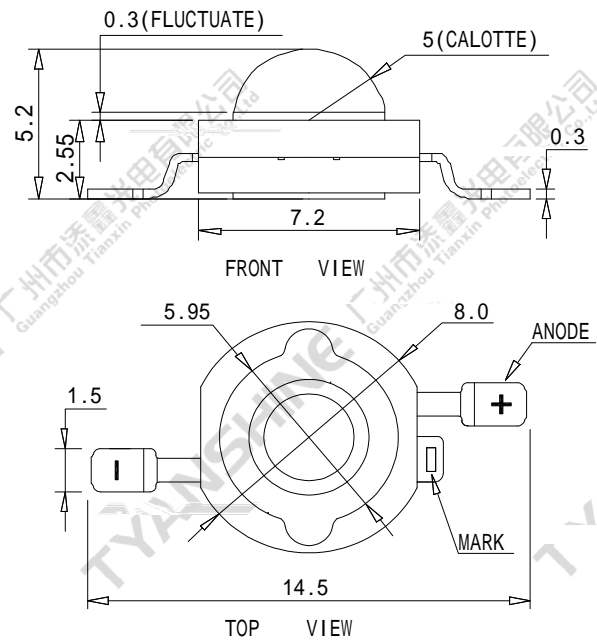
**Features:**

- ↖ Excellent Transiting Heat from LED Chip Operating under 700mA
- ↖ High Luminous Output
- ↖ No UV

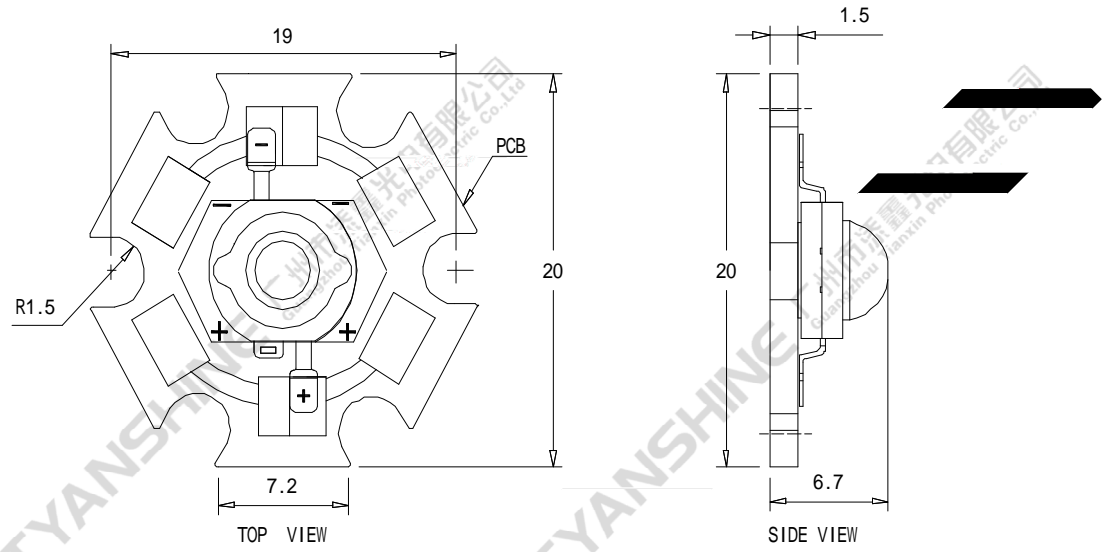
**Typical purpose:**

- ↖ Portable Flashlight
- ↖ Garden lighting
- ↖ General Lighting

**Package Dimensions:**



**Installs on the aluminum sheet:**



<b>Part No.</b>	TX-R3A140-010G	<b>Spec No.</b>	WKF-BA3071	<b>Page</b>	2 of 8
-----------------	----------------	-----------------	------------	-------------	--------

**Notes:**

1. All dimensions are in millimeters (inches).

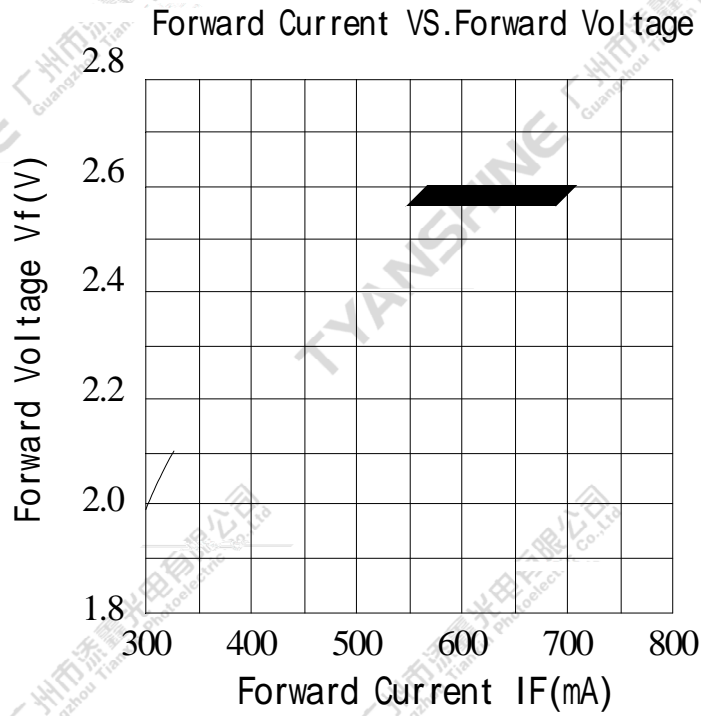
2. Tolerance is  $\pm 0.25$  mm (0.01

<b>Part No.</b>	TX-R3A140-010G	<b>Spec No.</b>	WKF-BA3071	<b>Page</b>	3 of 8
-----------------	----------------	-----------------	------------	-------------	--------

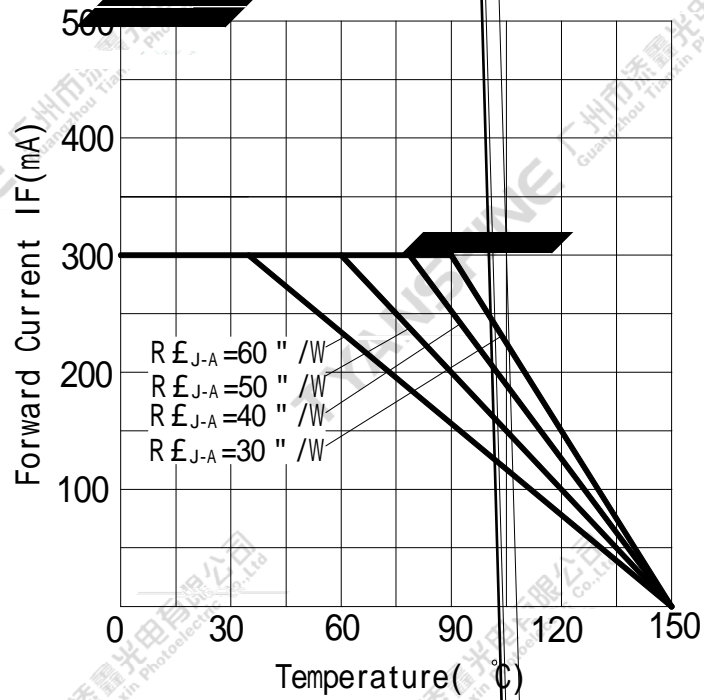


**Typical Electrical / Optical Characteristics Curves**

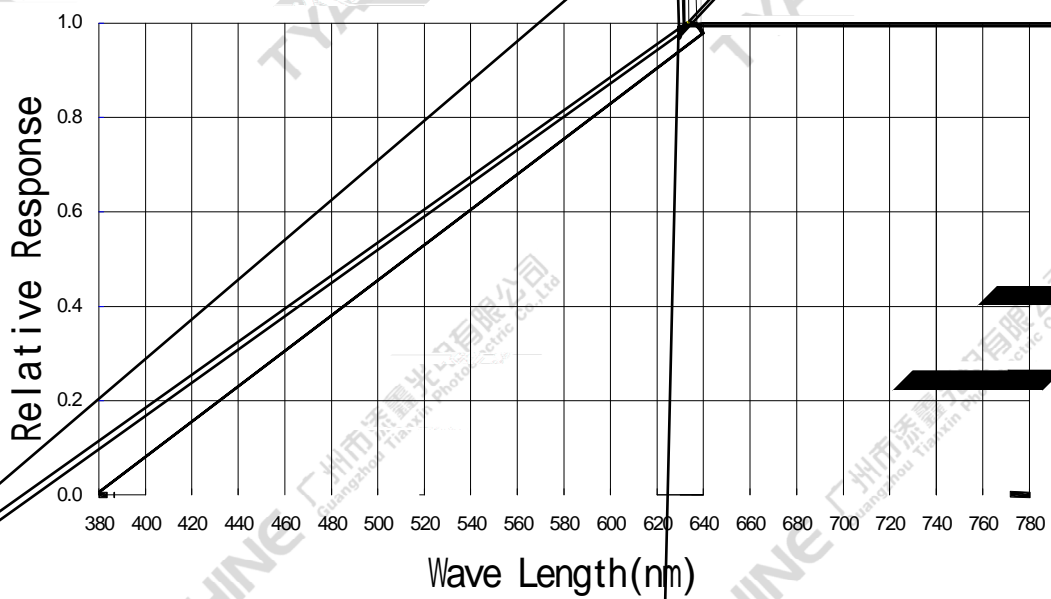
(25 " Ambient Temperature Unless Otherwise Noted)

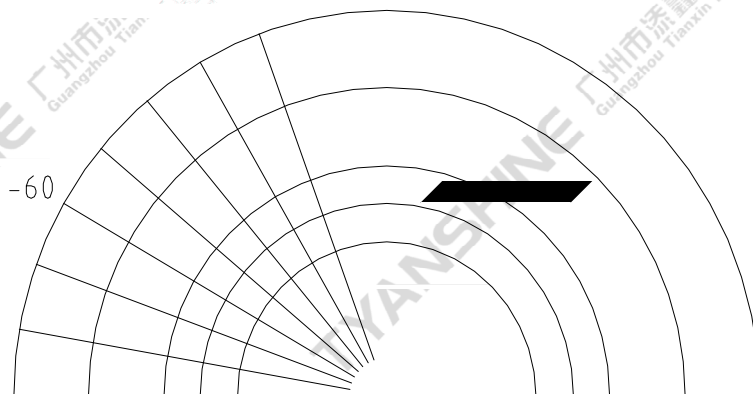


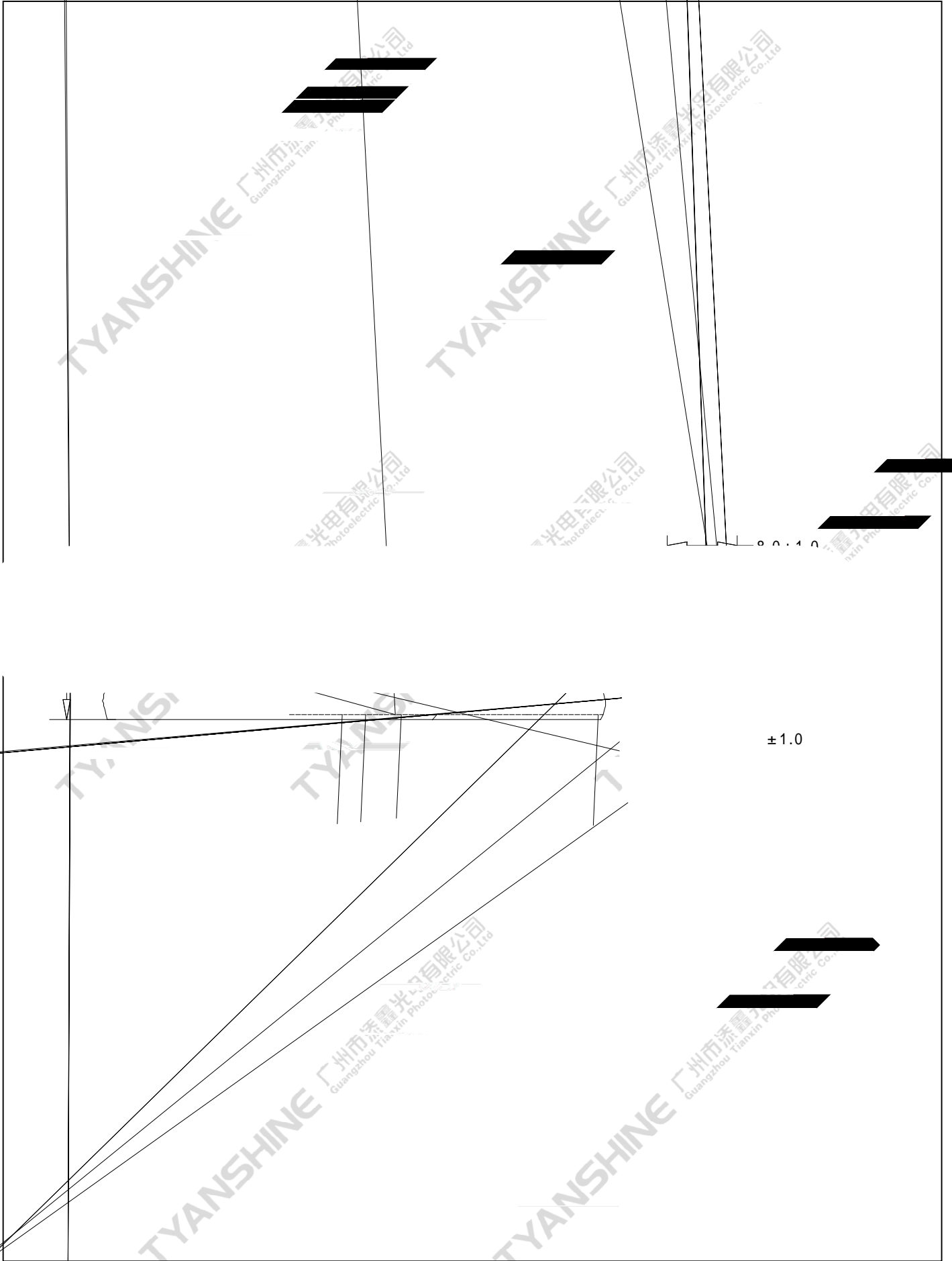
Ambient Temperature VS. Forward Current



Spectral Radiance (Peak 635nm)







<b>Part No.</b>	TX-R3A140-010G	<b>Spec No.</b>	WKF-BA3071	<b>Page</b>	8 of 8
-----------------	----------------	-----------------	------------	-------------	--------