



# TX-R3A140-005G



## PRODUCT SPECIFICATION

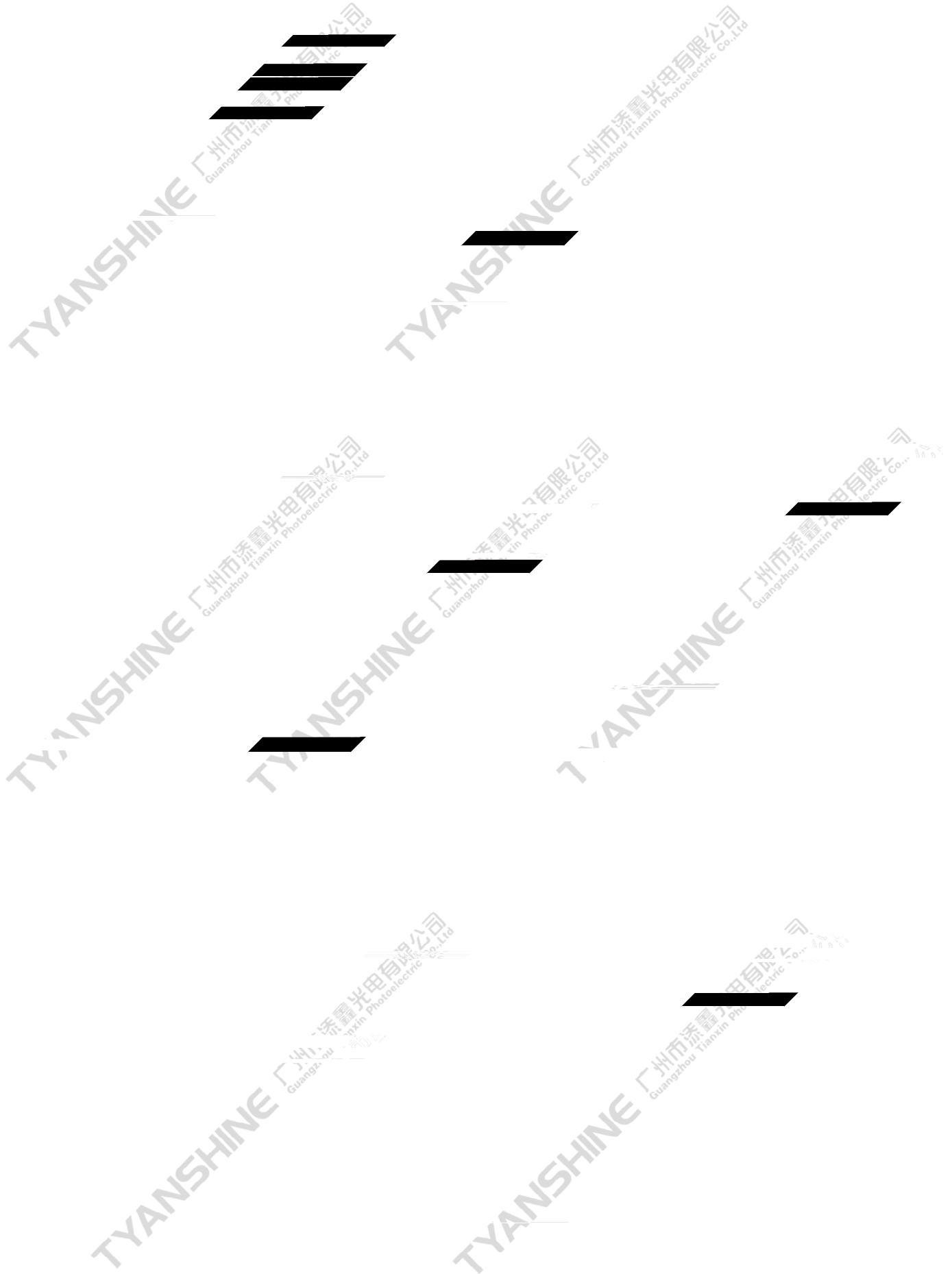


Approved by: \_\_\_\_\_

Checked by: \_\_\_\_\_

Prepared by: \_\_\_\_\_

<b>Part No.</b>	TX-R3A140-005G	<b>Spec No.</b>	WKF-BA3001	<b>Page</b>	1 of 8
-----------------	----------------	-----------------	------------	-------------	--------



**Notes:**

- 1. All dimensions are in millimeters (inches).
- 2. Tolerance is  $\pm 0.25$  mm (0.01") unless otherwise noted.

**Absolute Maximum**

<b>Part No.</b>	TX-R3A140-005G	<b>Spec No.</b>	WKF-BA3001	<b>Page</b>	3 of 8
-----------------	----------------	-----------------	------------	-------------	--------

**Characteristics at  $I_f=700mA$  ,  $V_r=5V$  ( $T_a=25^\circ C$ )**

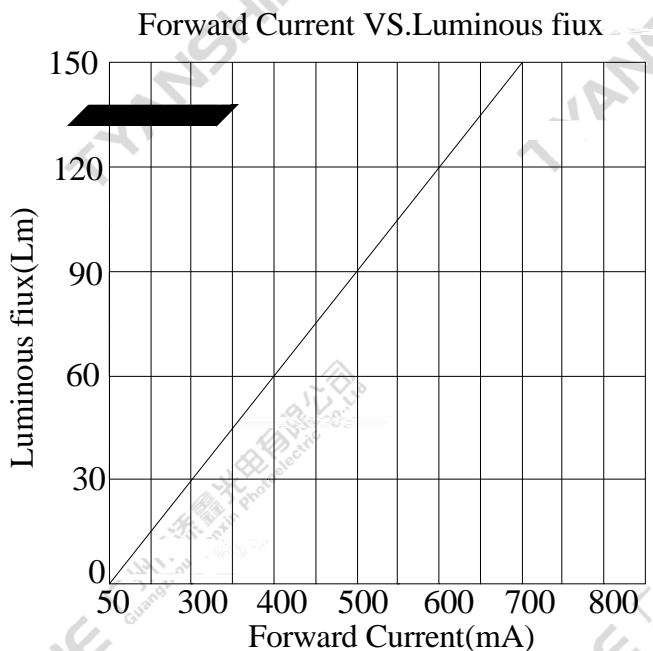
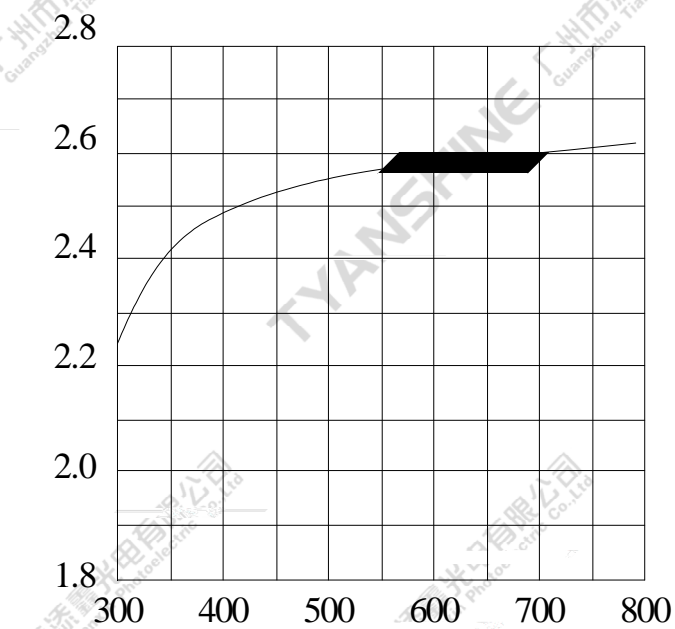
Parameter	Symbol	Values			Units
		Min.	Typ.	Max.	
Luminous Flux	$N_v$	80	105		lm
Viewing Angle at 50° IV	$2_{1/2}$		140		Deg
Peak Emission Wavelength			630	635	nm
Dominant Wavelength	$d$	618	623	628	nm
Spectral Line Half-Width		15	20	25	nm
Forward Voltage	$V_f$	2.0	2.6	3.2	V
Reverse Current	$I_R$	—	—	10	$\mu A$
Thermal Resistance Junction to Case	$R_{J-C}$	—	25	—	K/W
Temperature Coefficient of Forward Voltage	$V_{F/T}$	—	-2	—	mV/°C

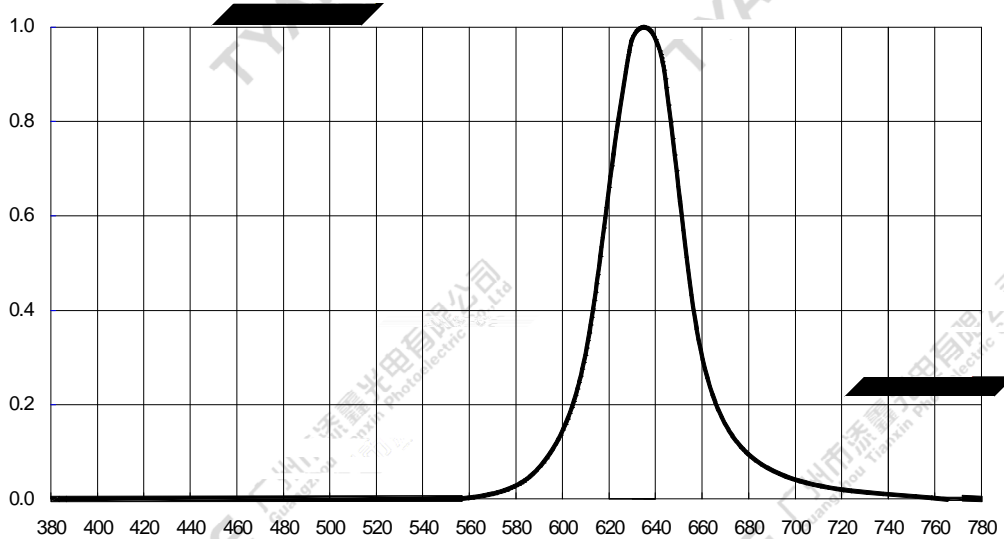
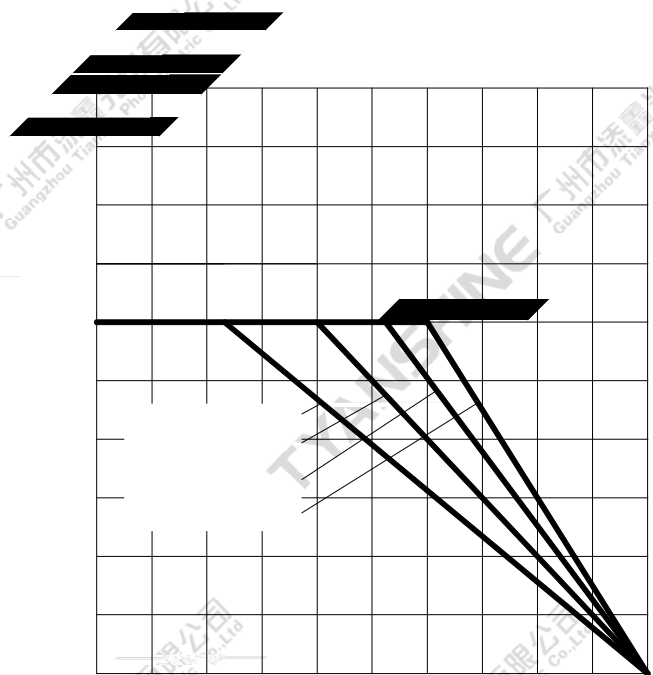
**Notes:**

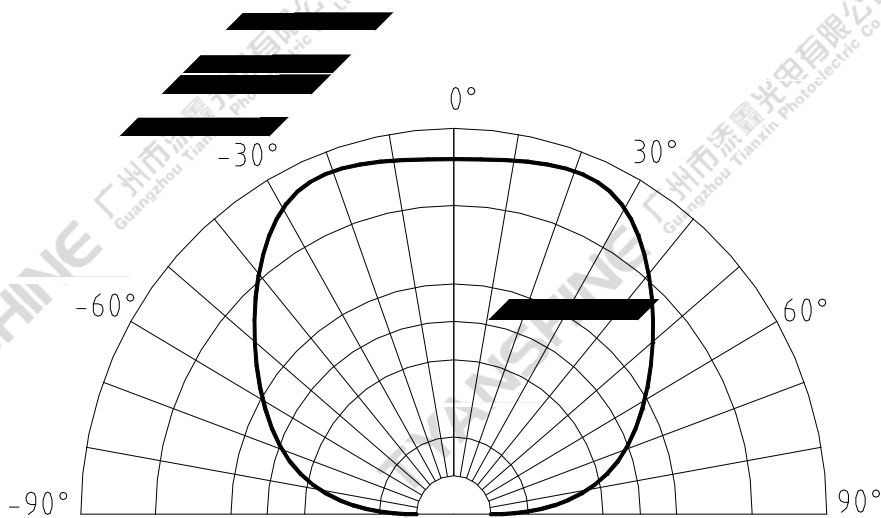
- Luminous intensity is measured with a light sensor and filter combination that approximates the CIE eye-response curve.
- $1/2$  is the off-axis angle at

**Typical Electrical / Optical Characteristics Curves**

(25 Ambient Temperature Unless Otherwise Noted)

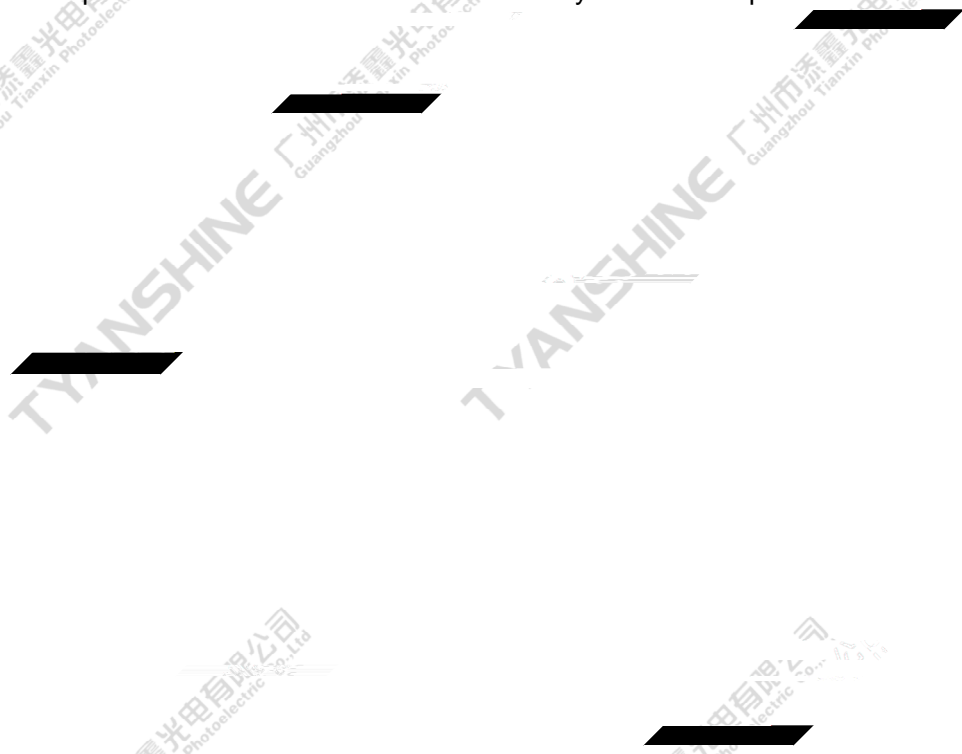




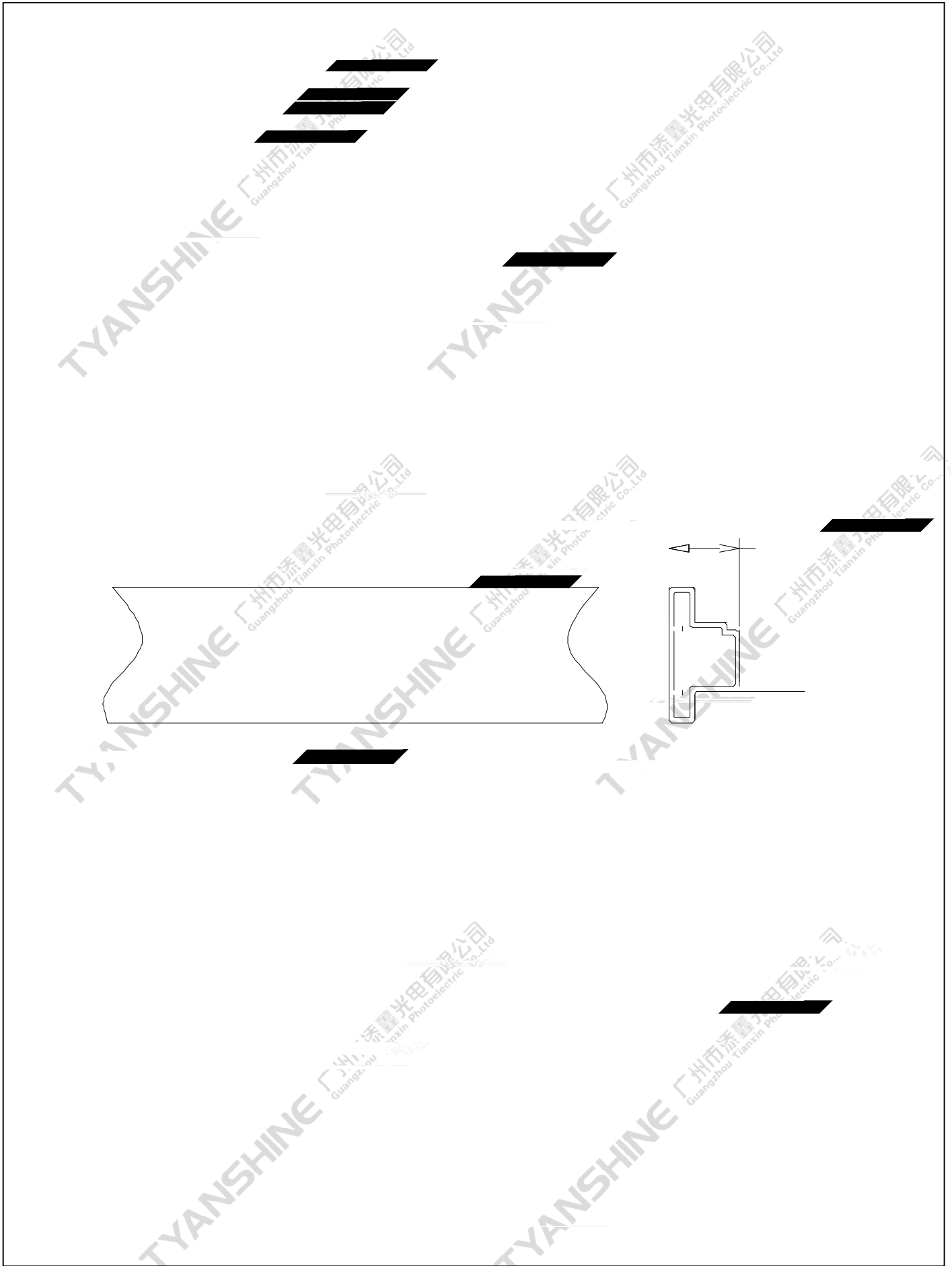


**Notes:**

- 1.  $\theta_{1/2}$  is the off axis angle from lamp centerline where the luminous intensity is 1/2 of the peak value.
- 2. View angle tolerance is  $\pm 5^\circ$ .



Part No.	TX-R3A140-005G	Spec No.	WKF-BA3001	Page	7 of 8
----------	----------------	----------	------------	------	--------



Part No.	TX-R3A140-005G	Spec No.	WKF-BA3001	Page	8 of 8
----------	----------------	----------	------------	------	--------